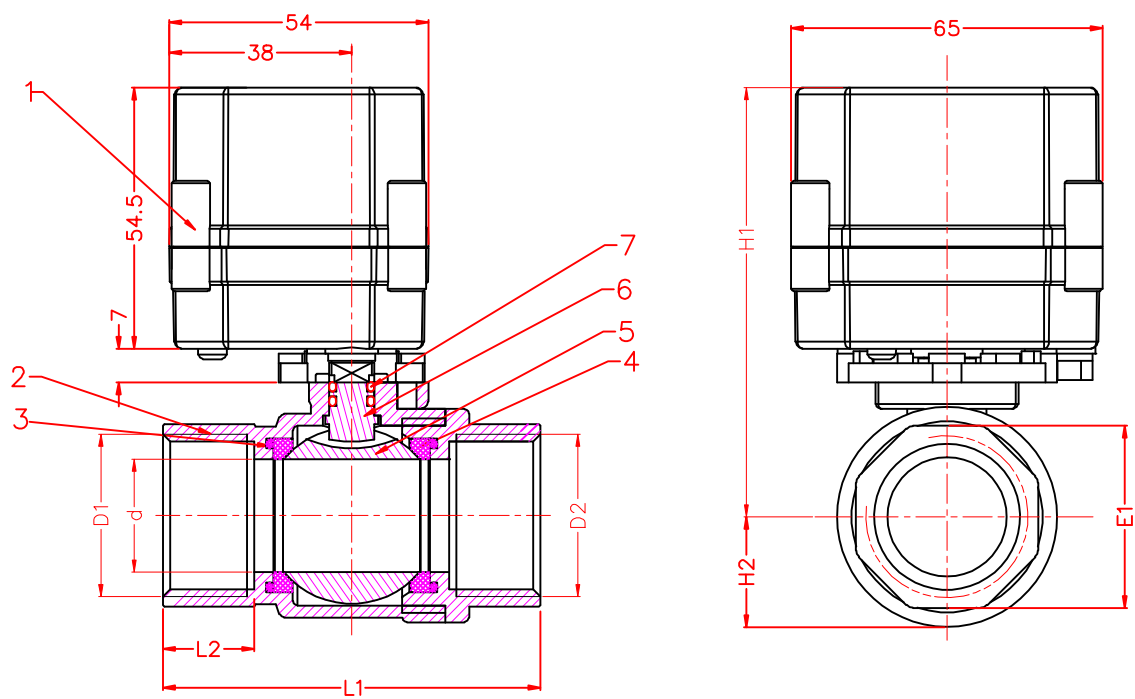


PART CODE :



T32(1 1/4") Electric valve	1 1/4"	25	79	20	46	91	25
T25(1") Electric valve	1"	24	71	15	38	89	22
T20(3/4") Electric valve	3/4"	20	66	15	31	87	19
T15(1/2") Electric valve	1/2"	15	56	13	25	84	16
<b>DESCRIPTION</b>	<b>D1/D2</b>	<b>d</b>	<b>L1</b>	<b>L2</b>	<b>E1</b>	<b>H1</b>	<b>H2</b>

<b>7</b>	<b>O-ring</b>	<b>NBR</b>		<b>2</b>
<b>6</b>	<b>Stem</b>	<b>Brass</b>		<b>2</b>
<b>5</b>	<b>Ball</b>	<b>Brass</b>		<b>1</b>
<b>4</b>	<b>Sealing</b>	<b>PTFE</b>		<b>2</b>
<b>3</b>	<b>O-ring</b>	<b>EPDM</b>		<b>2</b>
<b>2</b>	<b>Body Cover</b>	<b>Brass</b>		<b>1</b>
<b>1</b>	<b>Actuator</b>	<b>PPO</b>		<b>1</b>
<b>No.</b>	<b>NAME</b>	<b>Material</b>	<b>Specification</b>	<b>Quantity</b>

MATERIAL	DRN & DATE	<b>A20</b> <b>Electric valve</b>	MODEL NO
QTY/SET	CHK & DATE		
FINISH	APPD & DATE		
TREATMENT			
COLOUR			
UNIT	MM		SHEET NO
		DRG NO/PDD REF NO	ISSUE