

SOLENOID VALVE

XP SERIES SOLENOID VALVE

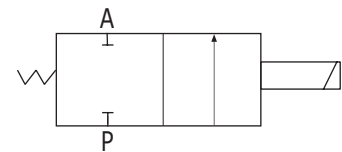


Features

1. Compact volume, large flow, widely use
2. Pilot operated structure
3. Lower power consumption, bigger working pressure
4. Body material: brass, stainless steel
5. NBR, VITON, EPDM, SILICONE seals are available
6. Normally closed and normally open

* Warning: Make sure the system is clean before installing please fix a filter in the front of solenoid valve for long life.

Symbol



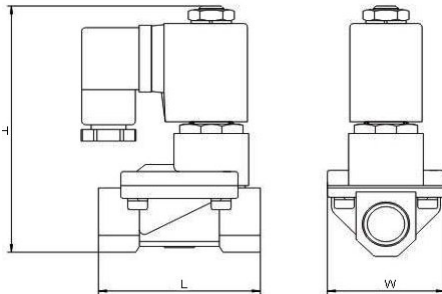
Specification for XP Series Normally Closed Solenoid Valve

Model		Thread Size (G)	Orifice (mm)	CV Value	Working Pressure (Bar)						Seals	Voltage
					AC			DC				
Brass body	Stainless steel				air, gas	water	≤ 20cst oil	air, gas	water	≤ 20cst oil		
XP130-10	XP130-10B	3/8"	13	4.5	0.5-16	0.5-16	0.5-13	0.5-16	0.5-16	0.5-13	NBR seals ≤ 80°C Viton seals ≤ 150°C EPDM seals ≤ 120°C Silicone seals ≤ 100°C	220VAC 110VAC 24VDC 12VDC make Other voltage as requested
XP130-15	XP130-15B	1/2"	13	4.5	0.5-16	0.5-16	0.5-13	0.5-16	0.5-16	0.5-13		
XP200-20	XP200-20B	3/4"	20	7.6	0.5-16	0.5-16	0.5-13	0.5-16	0.5-16	0.5-13		
XP250-25	XP250-25B	1"	25	12	0.5-16	0.5-16	0.5-13	0.5-16	0.5-16	0.5-13		
XP320-35	XP320-35B	1 1/4"	32	22	0.5-16	0.5-16	0.5-13	0.5-16	0.5-16	0.5-13		
XP400-40	XP400-40B	1 1/2"	40	30	0.5-16	0.5-16	0.5-13	0.5-16	0.5-16	0.5-13		
XP500-50	XP500-50B	2"	50	48	0.5-16	0.5-16	0.5-13	0.5-16	0.5-16	0.5-13		
Flange connection	XP250-25FB	4 holes flange	25	12	0.5-16	0.5-16	0.5-13	0.5-16	0.5-16	0.5-13		
	XP320-35FB		32	22	0.5-16	0.5-16	0.5-13	0.5-16	0.5-16	0.5-13		
	XP400-40FB		40	30	0.5-16	0.5-16	0.5-13	0.5-16	0.5-16	0.5-13		
	XP500-50FB		50	48	0.5-16	0.5-16	0.5-13	0.5-16	0.5-16	0.5-13		

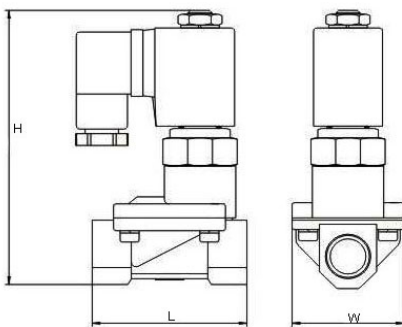
Specification for XP Series Normally Open Solenoid Valve

Model		Thread Size (G)	Orifice (mm)	CV Value	Working Pressure (Bar)						Seals	Voltage
					AC			DC				
Brass body	Stainless steel				air, gas	water	≤20cst oil	air, gas	water	≤20cst oil		
XP130-10H	XP130-10BH	3/8"	13	4.5	0.5-8	0.5-8	0.5-7	0.5-8	0.5-8	0.5-7	NBR seals ≤80°C Viton seals ≤150°C EPDM seals ≤120°C Silicone seals ≤100°C	220VAC 110VAC 24VDC 12VDC make Other voltage as requested
XP130-15H	XP130-15BH	1/2"	13	4.5	0.5-8	0.5-8	0.5-7	0.5-8	0.5-8	0.5-7		
XP200-20H	XP200-20BH	3/4"	20	7.6	0.5-8	0.5-8	0.5-7	0.5-8	0.5-8	0.5-7		
XP250-25H	XP250-25BH	1"	25	12	0.5-8	0.5-8	0.5-7	0.5-8	0.5-8	0.5-7		
XP320-35H	XP320-35BH	1 1/4"	32	22	0.5-8	0.5-8	0.5-7	0.5-8	0.5-8	0.5-7		
XP400-40H	XP400-40BH	1 1/2"	40	30	0.5-8	0.5-8	0.5-7	0.5-8	0.5-8	0.5-7		
XP500-50H	XP500-50BH	2"	50	48	0.5-8	0.5-8	0.5-7	0.5-8	0.5-8	0.5-7		
Flange connection	XP250-25FBH	4 holes flange	25	12	0.5-8	0.5-8	0.5-7	0.5-8	0.5-8	0.5-7		
	XP320-35FBH		32	22	0.5-8	0.5-8	0.5-7	0.5-8	0.5-8	0.5-7		
	XP400-40FBH		40	30	0.5-8	0.5-8	0.5-7	0.5-8	0.5-8	0.5-7		
	XP500-50FBH		50	48	0.5-8	0.5-8	0.5-7	0.5-8	0.5-8	0.5-7		

Overall Dimensions



Model	L	W	H	Model	L	W	H
XP130-10	66	48	112	XP130-10B	66	48	112
XP130-15	66	48	112	XP130-15B	66	48	112
XP200-20	75	58	118	XP200-20B	75	58	118
XP250-25	96	70	130	XP250-25B	96	70	130
XP320-35	130	96	146	XP320-35B	130	96	146
XP400-40	130	96	146	XP400-40B	130	96	146
XP500-50	165	120	168	XP500-50B	165	120	168
XP250-25F	134	110	160	XP250-25FB	134	110	160
XP320-35F	160	140	180	XP320-35FB	160	140	180
XP400-40F	160	140	180	XP400-40FB	160	140	180
XP500-50F	200	160	207	XP500-50FB	200	160	207



Model	L	W	H	Model	L	W	H
XP130-10H	66	48	124	XP130-10BH	66	48	124
XP130-15H	66	48	124	XP130-15BH	66	48	124
XP200-20H	75	58	130	XP200-20BH	75	58	130
XP250-25H	96	70	143	XP250-25BH	96	70	143
XP320-35H	130	96	158	XP320-35BH	130	96	158
XP400-40H	130	96	158	XP400-40BH	130	96	158
XP500-50H	165	120	180	XP500-50BH	165	120	180
XP250-25FH	134	110	143	XP250-25FBH	134	110	143
XP320-35FH	160	140	158	XP320-35FBH	160	140	158
XP400-40FH	160	140	158	XP400-40FBH	160	140	158
XP500-50FH	200	160	180	XP500-50FBH	200	160	180