

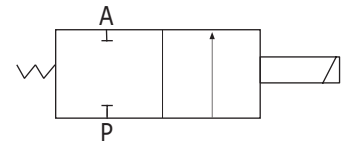


Features

1. High pressure solenoid valve.
2. Max pressure: 200 bar;
3. Body material: brass, stainless steel
4. VITON, PTFE seals are available
5. Normally closed

*** Warning:** Make sure the system is clean before installing please fix a filter in the front of solenoid valve for long life.

Symbol



Specification for XLG Series Solenoid Valve

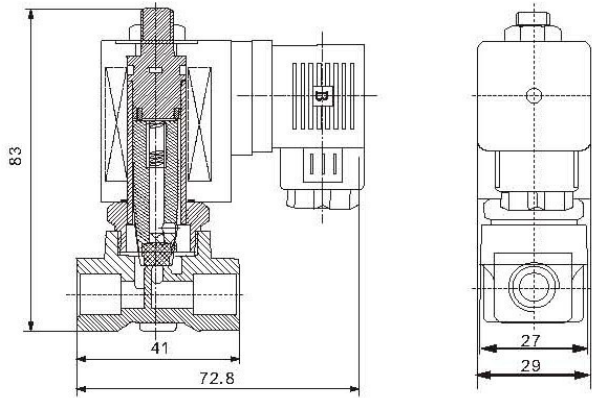
Model		Orifice(mm)	CV Value	Pipe size (G)	Working pressure (Bar)		Seal Material
					AC	DC	
Brass	SS304						
XLG010-06	XLG010-06B	1.0	0.04	1/8	0-200	0-150	NBR seals ≤ 80°C ; Viton seals ≤ 150°C ; EPDM seals ≤ 120°C Silicone seals ≤ 100°C
XLG015-06	XLG015-06B	1.5	0.08	1/8	0-100	0-75	
XLG025-06	XLG025-06B	2.5	0.23	1/8	0-35	0-25	
XLG010-08	XLG010-08B	1.0	0.04	1/4	0-200	0-150	
XLG015-08	XLG015-08B	1.5	0.08	1/4	0-100	0-75	
XLG025-08	XLG025-08B	2.5	0.23	1/4	0-35	0-25	
	XLG100-08B	10	1.7	1/4	0.5-100	0.5-80	
	XLG100-10B	10	1.7	3/8	0.5-100	0.5-80	
	XLG100-15B	10	1.7	1/2	0.5-100	0.5-80	
XLG150-10	XLG010-06B	15	4.2	3/8	1.0-75	1.0-55	
XLG150-15	XLG025-06B	15	4.2	1/2	1.0-75	1.0-55	
XLG200-20	XLG010-08B	20	7	3/4	1.0-65	1.0-50	
XLG250-25	XLG025-08B	25	11	1	1.0-55	1.0-45	

SOLENOID VALVE

XLG SERIES HIGH PRESSURE SOLENOID VALVE

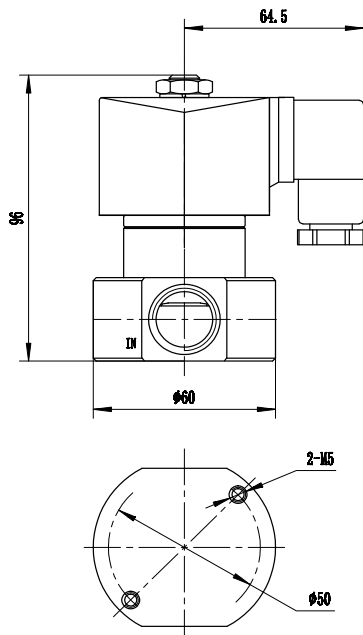


Drawings

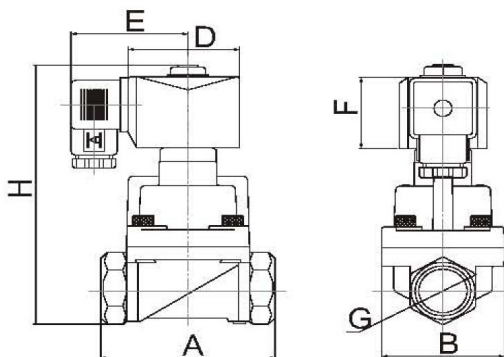
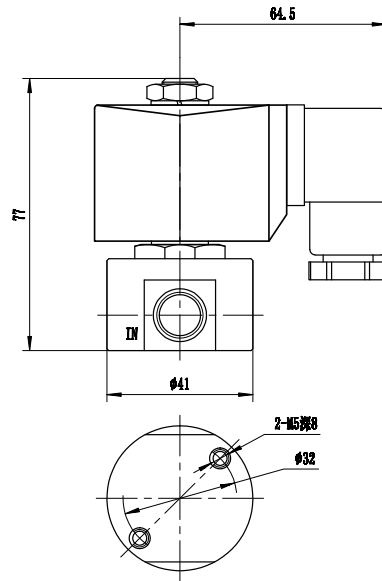


XLG015-06, XLG025-08

XLG100-08B, 10B, 15B



XLG012-08B, XLG020-08B



XLG150-15B, XLG200-20B, XLG250-25B

Model	A	B	H	G
XLG150-15B	75	52	130	1/2"
XLG200-20B	85	60	141	3/4
XLG250-25B	100	70	148	1"