

TONHE

A150-T Series

Electric PVC Motorized Shut off Valve

Application

- Water meter , water leak detection system and water treatment etc equipment
- HAV and fire works. Automatic drain system
- Irrigation ect small control equipment



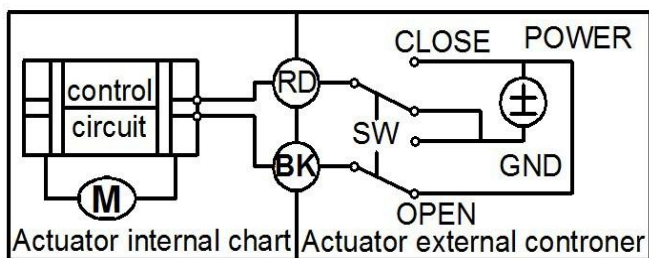
TG ELECTRONICS
Blåbærdalen 30 6518 Kristiansund
Tele:+47 91795392
e-post: post@tgelectronics.no www.tgelectronics.no

Technical Parameters

Valve size	NPT/BSP 1/2" 3/4" 1" 1 1/4" 1 1/2" 2" (Optional)
Connection standard	ISO5211 F03、F04、F05
Output axis specification	male square or Female octagonal
Maximum working pressure	1.0MPa
Circulation medium	Fluid, air
Rated voltage	DC12V DC24V AC/24V DC12-24V (Optional)
Wiring diagram	CR201 CR202 CR301 CR303 CR306 CR501 CR502 (Optional)
Working current	≤500mA
Open/close time	≤15S
Life time	70000 times (testing pressure is 0.4MPa, medium is water)
Valve body material	SS304 SS316 PVC (Optional)
Actuator material	Engineering Plastics PPO
Sealing material	FKM & PTFE
Actuator rotation	90°
Torque force	15 N.M
Cable Length	0.5m ,1.5m ((Optional)
Environment temperature	-15℃~60℃
Liquid temperature	2℃~90℃
Manual operation	Yes
Open/close indicator	Yes
Protection class	IP67

Wiring diagram

CR2 01 Wiring Diagram (2 wires control)



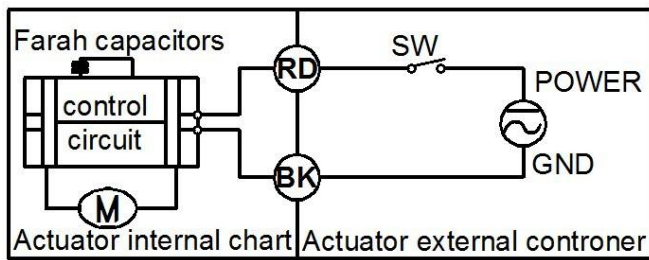
·RD connect with positive, the BK connect with negative, the valve closed, the actuator automatically power off after in place , the valve remains fully closed position .

·BK connect with positive, the RD connect with negative, the valve open, the actuator automatically power off after in place, the valve remains fully open position .

* Suitable Working Voltage: DC12V, DC24V

* Exceeding the working voltage is forbidden

CR2 02 Wiring Diagram (2 wires control – “Capacitors return” in case of the power is failure)

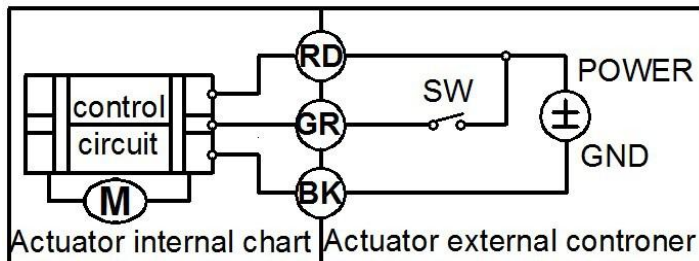


- When SW is CLOSED, the valve OPEN, the actuator automatically power off after in place.
- When SW is OPEN, the valve CLOSED, the actuator automatically power off after in place.

* Suitable Working Voltage:DC12V, DC24V , DC12-24V, AC24V.

* Exceeding the working voltage is forbidden

CR3 03 Wiring Diagram (3 wires control)



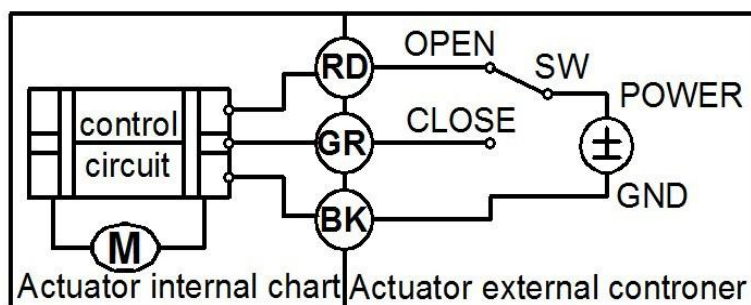
- RD& GR connect with positive, the BK connect with negative.

- SW CLOSED, the valve OPEN, the actuator automatically power off after in place
- SW OPEN, the valve CLOSED, the actuator automatically power off after in place.

* Suitable Working Voltage:DC12V, DC24V ,DC12-24V,AC24V

* Exceeding the working voltage is forbidden

CR3 01 Wiring Diagram (3 wires control)



- RD & GR connect with positive, BK connect with negative

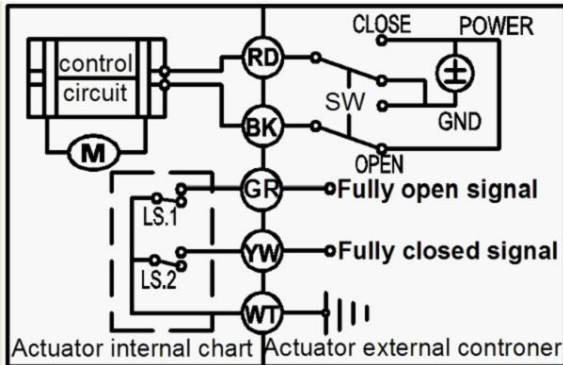
- When OPEN(RD) & SW connected , the valve open, the actuator automatically power off after in place , valve remains fully open position

- When CLOSE(GR) & SW connected, the valve closed, the actuator automatically power off after in place, valve remains fully closed position.

* Suitable Working Voltage: DC12V, DC24V ,DC12-24V,AC24V

* Exceeding the working voltage is forbidden

CR5 01 Wiring diagram (with feedback signal)

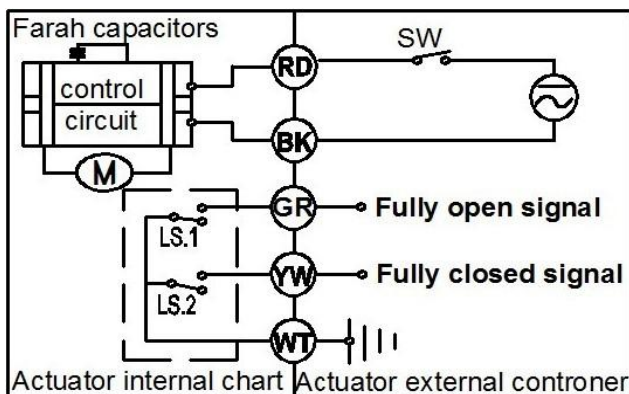


- 1.RD connect with positive, the BK connect with negative. the valve closed, the actuator automatically power off after in place .
- 2.BK connect with positive, the RD connect with negative. the valve open, the actuator automatically power off after in place .
- 3.GR & WT are connect when the valve open fully, YW & WT are connect when the valve closed fully

* Suitable Working Voltage: DC12V, DC24V ,DC12-24V,AC24V

* Exceeding the working voltage is forbidden!

CR5 02 Wiring diagram (with feedback signal and “Capacitors return” in case of the power is failure)



·When SW is closed , the valve open. the actuator automatically power off after in place

·When SW is open, the valve closed, the actuator automatically power off after in place

* GR & WT are connect when the valve open fully, YW & WT are connect when the valve closed fully

* Suitable Working Voltage: DC12-24V, AC/DC24V.

* Exceeding the working voltage is forbidden

About the “Capacitors return” function , there are two kinds of valve : normally closed and normally open.

Normally closed: the valve will be auto closed when the power is off(without power); the valve will be auto open when the power is on.

Normally open: the valve will be auto open when the power is off(without power); the valve will be auto closed when the power is on.

Kindly Remind: please charge the motorized ball valve before using.

TG ELECTRONICS

Blåbærdalen 30 6518 Kristiansund

Tele:+47 91795392

e-post: post@tgelectronics.no www.tgelectronics.no

