

TONHE

A100 Series

2 WAY ELECTRIC PVC BALL VALVE



Application

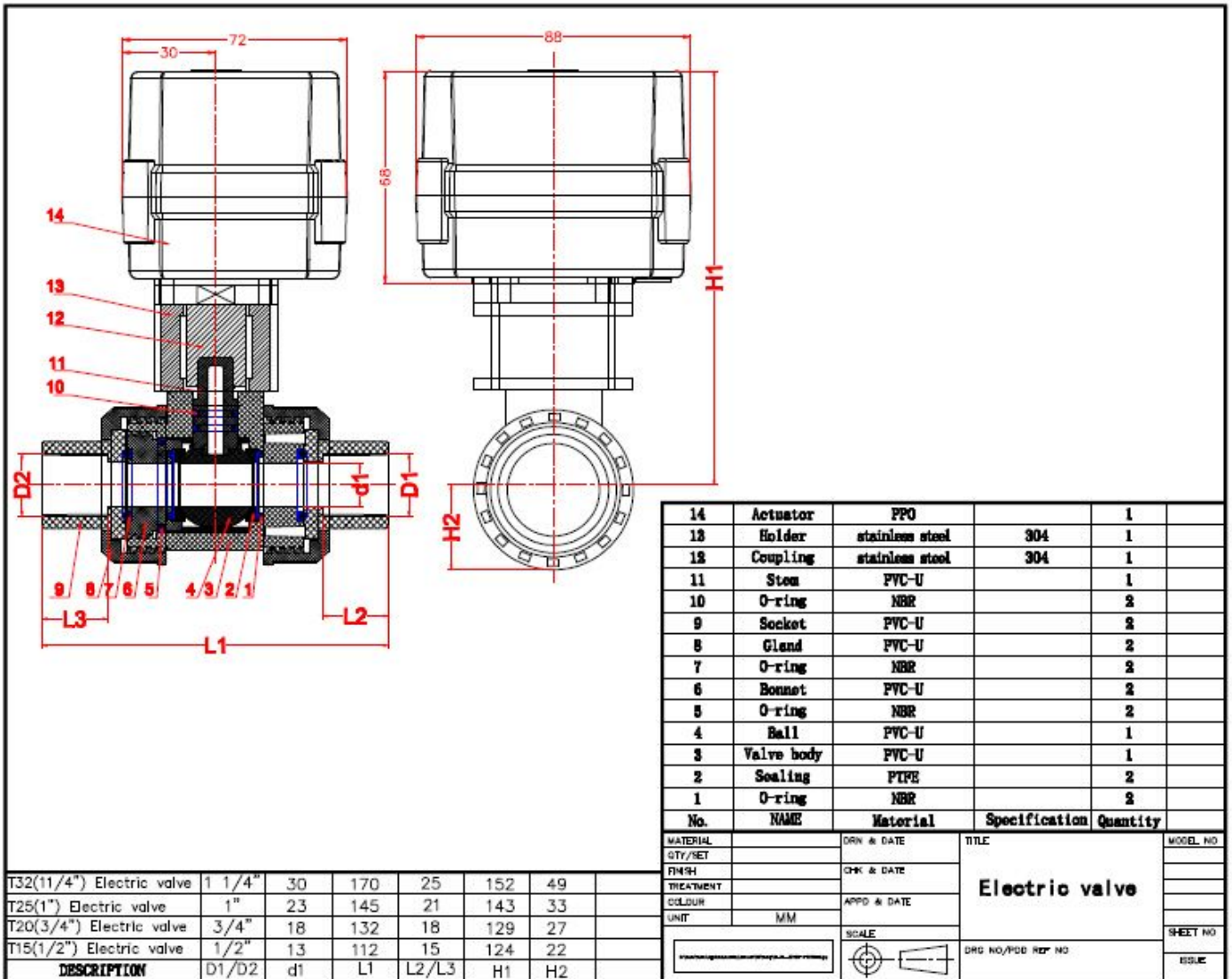
- Water meter , water leak detection system and water treatment etc equipment
- HAV and fire works. Automatic drain system
- Irrigation ect small control equipment

Technical Parameters:

Product size	<input type="checkbox"/> NPT/BSP 1/2" <input type="checkbox"/> NPT/BSP 3/4" / <input type="checkbox"/> NPT/BSP1" <input type="checkbox"/> NPT/BSP11/4" (Optional)
Maximum working pressure	1.5 MPa
Circulation medium	Fluid, air
Rated voltage	DC12V/AC/DC24V/AC110-230V (Optional)
Wiring control methods	<input type="checkbox"/> CR2-01 <input type="checkbox"/> CR2-02 <input type="checkbox"/> CR3-03 <input type="checkbox"/> CR4-01 <input type="checkbox"/> CR5-01 <input type="checkbox"/> CR5-02 <input type="checkbox"/> CR7-04 (Optional)
Working current	1A
Open/close time	≤13S
Life time	100000 times

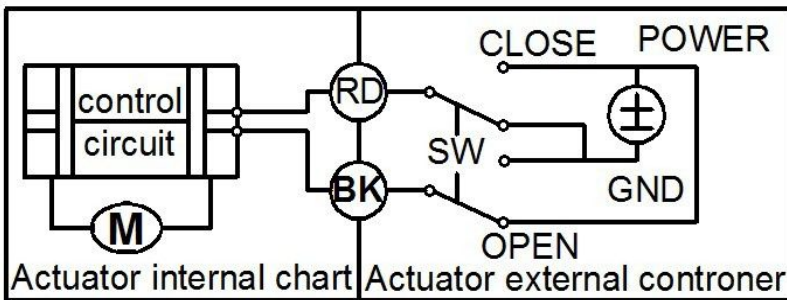
Valve Body material	PVC
Actuator material	Engineering Plastics
Sealing material	EPDM & PTFE
Actuator rotation	90°
Max. torque force	10N.m
Cable Length	0.5m,1.5m, (Optional)
Environment temperature	-15℃~50℃
Liquid temperature	2℃~90℃
Manual override	No
Indicator	Yes
Protection class	IP67

Assemble Drawing :



Wiring diagram

CR2 01 Wiring Diagram (2 wires control)



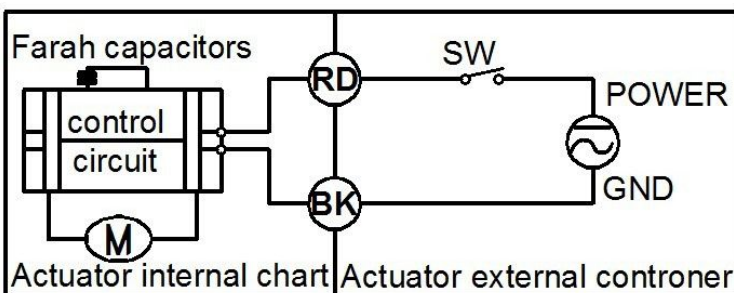
·RD connect with positive, the BK connect with negative, the valve closed, the actuator automatically power off after in place , the valve remains fully closed position .

·BK connect with positive, the RD connect with negative, the valve open, the actuator automatically power off after in place, the valve remains fully open position .

* Suitable Working Voltage: DC12V/DC24V

* Exceeding the working voltage is forbidden

CR2 02 Wiring Diagram (2 wires control – Spring return in case of the power is failure)



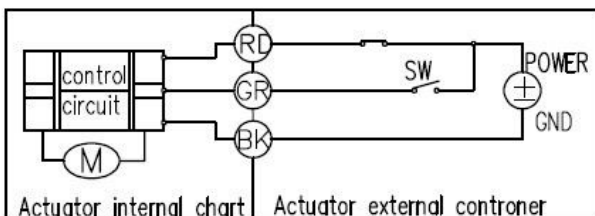
·When SW is closed , the valve open. the actuator automatically power off after in place

·When SW is open, the valve closed, the actuator automatically power off after in place

* Suitable Working Voltage: **AC/DC110V-230V,AC/DC9-35V.**

* Exceeding the working voltage is forbidden

CR3 03 Wiring Diagram (3 wires control)



• RD connect with positive, GR connect with SW & positive

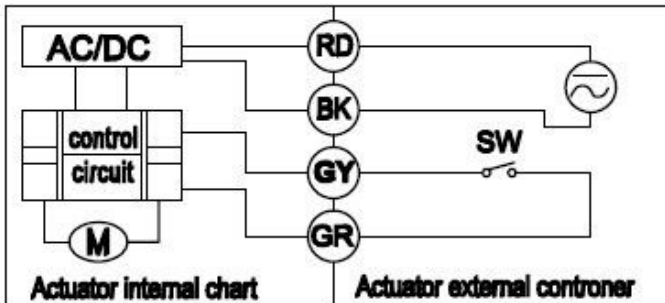
• BK connect with negative

• When the SW of GR closed, the valve OPEN, the actuator automatically power off after in place , remains fully closed position

• When the SW of GR open, the valve CLOSED, the actuator automatically power off after in place , remains fully open position.

* Suitable Working Voltage: AC/DC12V/AC/DC24V

CR4 01 Wiring Diagram (4 wires control)



1、 RD & BK are connected to the power, GY& GR are connected to the controlled wiring.

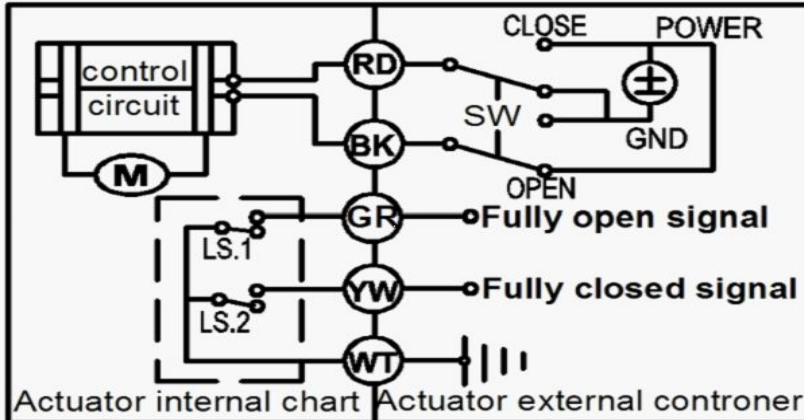
2、 When the SW is closed , the valve open

3、 When the SW is open , the valve closed

Suitable Working Voltage: **AC110V-230V**

Exceeding the working voltage is forbidden

CR5 01 Wiring diagram (with feedback signal)



1. RD connect with positive, the BK connect with negative, the valve closed, the actuator automatically power off after in place .

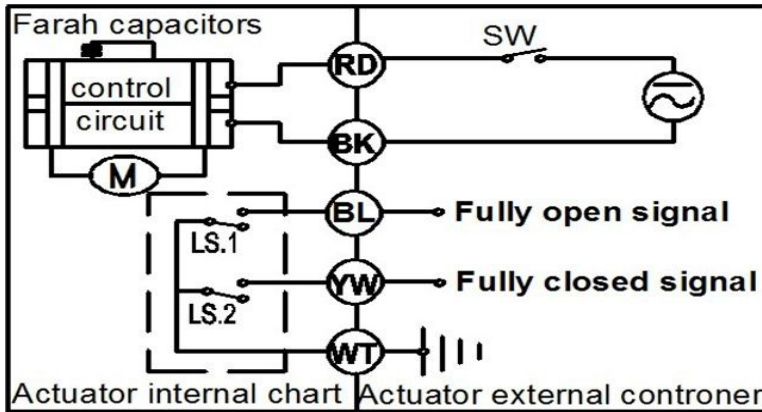
2. BK connect with positive, the RD connect with negative, the valve open, the actuator automatically power off after in place .

4. GR & WT are connect when the valve open fully, YW & WT are connect when the valve closed fully

Suitable Working Voltage: **DC12V/DC24V**

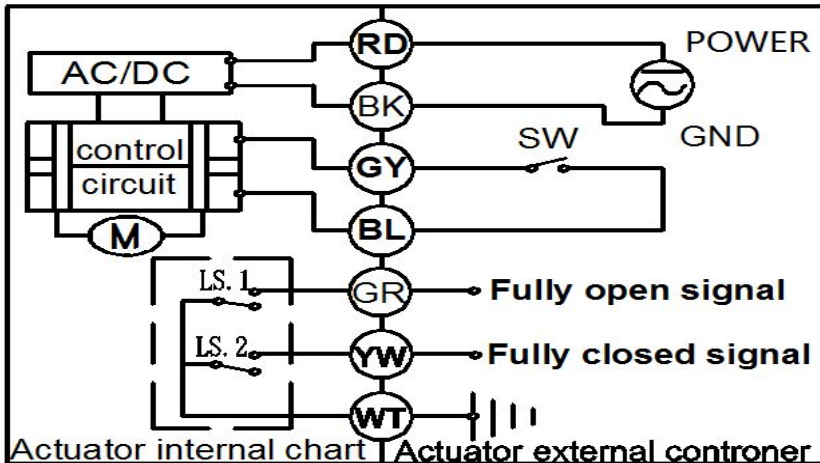
Exceeding the working voltage is forbidden

CR5 02 Wiring diagram (with feedback signal)



- When SW is closed , the valve open. the actuator automatically power off after in place
- When SW is open, the valve closed, the actuator automatically power off after in place
- * BL & WT are connect when the valve open fully, YW & WT are connect when the valve closed fully
- * Suitable Working Voltage: **AC/DC110V-230V,AC/DC12-24V**
- * Exceeding the working voltage is forbidden

CR7 04 Wiring Diagram (7 wires control with feedback signal)



- RD & BK are connected to the power, GY & BL are connected to the controlled wiring.
- When the SW is closed , the valve open
- When the SW is open , the valve closed
- GR & WT connect with the valve's fully open signal wiring
- YW & WT connect with the valve's fully closed signal wiring.

Suitable Working Voltage: **AC110V-230V**

Exceeding the working voltage is forbidden

TG ELECTRONICS

Blåbærdalen 30 6518 Kristiansund

Tele:+47 91795392

e-post: post@tgelectronics.no www.tgelectronics.no