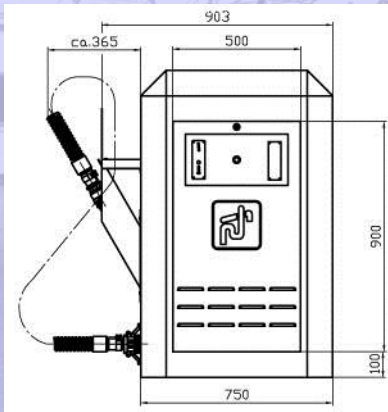


- High quality housing made of 316 stainless steel
- Self priming diaphragm pump, can run dry
- Integral high head automatic transfer pump/tank
- Integrated drip tray
- Easy to service and to maintenance due to the fully removable door
- 15m high flexible Suction hose 1 1/2" (38mm)
- Pump-out Probe meets the European standard ISO 8099
- Different control options (coin, Token, Key or Start/Stop buttons)
- Self priming up to 6m high
- Voltage 400V available

## Pump out station



### Dimensions:

Length total = 750 mm  
Width total = 750 mm  
Height = 1300mm

### Data:

Capacity	50l/min
Motor Power:	750W
Suction height max:	6m
Discharge length max:	700m
Pressure height max:	25m
Weight:	200kg