

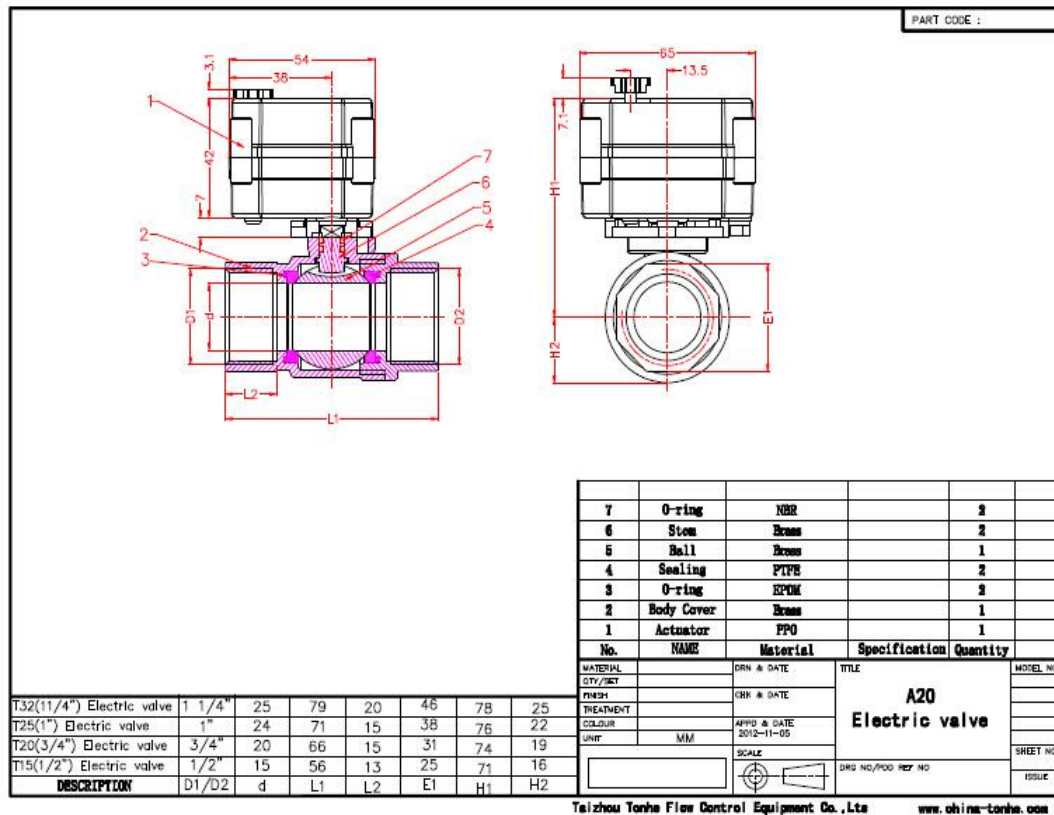
Tonhe A20 Series Proportional Motorized Ball Valve



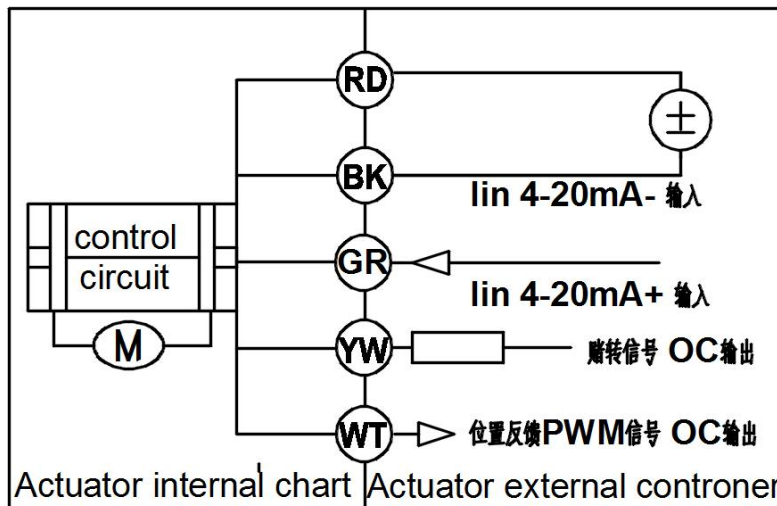
Technical Parameters

Product size	□NPT/BSP 1/4" 3/8" 1/2" 3/4" 1" (Optional)
Maximum working pressure	1.0MPa
Circulation medium	Fluid, air
Rated voltage	DC9-24V
control signal	4-20mA 、 0-5V、 0-10V
Wiring control methods	5 wire control with feedback signal
Position	Any position (0~100% is ok) Make as your requirement, for example, 4 position, 5 position,etc.
Open/close time	≤7S
Life time	70000 times
Valve Body material	□Brass □SS304 (Optional)
Actuator material	Engineering Plastics
Sealing material	FKM & PTFE
Actuator rotation	90°
Max. torque force	3 N.M
Cable Length	0.5m 1.5m
Environment temperature	-15℃~60℃
Liquid temperature	2℃~90℃
Manual override	No
Indicator	Yes
Protection class	IP67
Certificate	CE,ROHS , SS304 valve passed NSF61-G
Company passed	ISO9001:2008
Locked-rotor Current	500mA
Locked-rotor Delay Time	2-4s

Assemble drawing



wire control Diagram :



- 1, RD connect DC9-24V positive
- 2, BK connect DC9 ~ 24V-/ 4-20mA-/0-5V-/0-10V-
- 3 GR connect position input /control current +/ control voltage +(4-20mA, 0-5V, 0-10V)
- 4, YW connect ERR output ,OC output
- 5, WT connect position feedback ,OC output PWM signal

TG ELECTRONICS
 Blåbærdalen 30 6518 Kristiansund
 Tele:+47 91795392
 e-post: post@tgelectronics.no www.tgelectronics.no