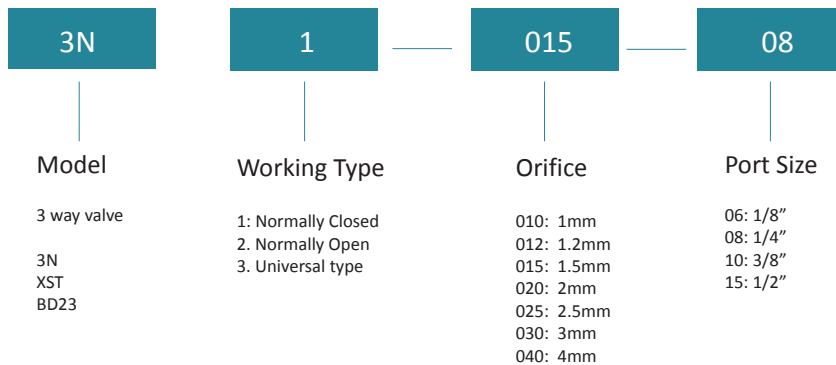




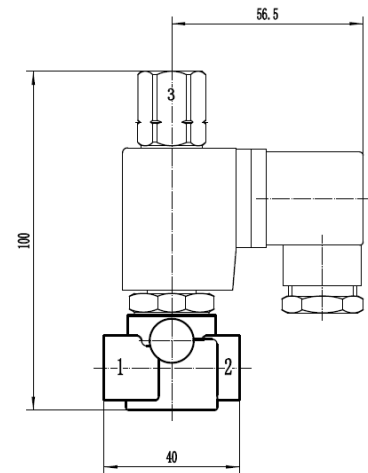
### Features

1. 2/3 way direct acting valve
2. Medium: air, gas
3. Working pressure: 0-16
4. Body material: brass, stainless steel
5. NBR, VITON seals are available
6. Normally closed, normally open, universal type, diverting type, etc.

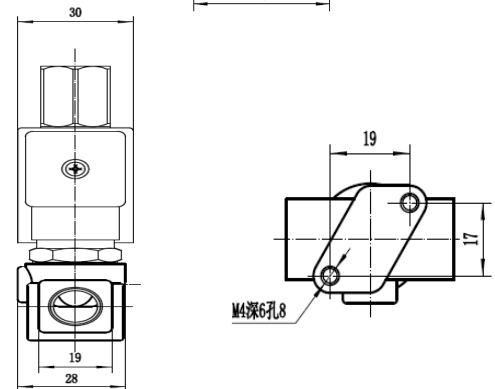
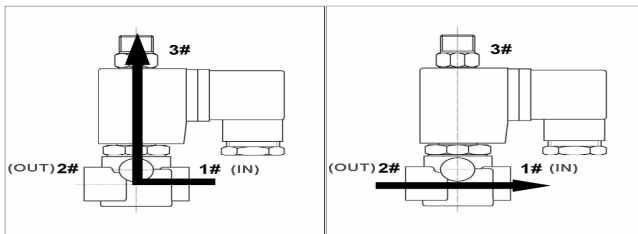
### How to Order



Regular voltage : 220VAC, 110VAC, 24VDC, 12VDC, Other voltages are also customized as requested



### Specification for 3N Series Normally Closed



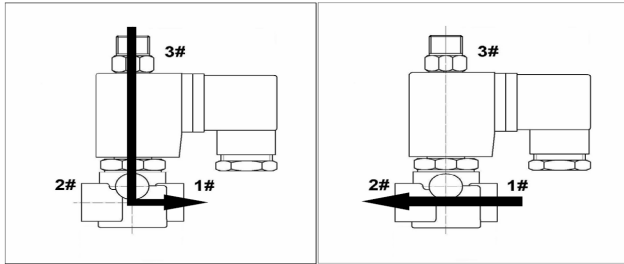
Model	Orifice(mm)		CV Value		Thread G, NPT	Working Pressure(Mpa)		Medium Temp. (°C)	Voltage
	Body	Top	Body	Top		AC	DC		
3N1-015-06	1.5	1.2	0.07	0.05	1/8"	0-1	0-0.7	-10~80	220VAC 110VAC 24VDC 12VDC make Other voltage as requested
3N1-020-06	2	1.2	0.14	0.05	1/8"	0-0.8	0-0.6	-10~80	
3N1-025-06	2.5	1.2	0.21	0.05	1/8"	0-0.7	0-0.5	-10~80	
3N1-030-06	3	1.2	0.23	0.05	1/8"	0-0.5	0-0.4	-10~80	
3N1-015-08	1.5	1.2	0.07	0.05	1/4"	0-1	0-0.7	-10~80	
3N1-020-08	2	1.2	0.14	0.05	1/4"	0-0.8	0-0.6	-10~80	
3N1-025-08	2.5	1.2	0.21	0.05	1/4"	0-0.7	0-0.5	-10~80	
3N1-030-08	3	1.2	0.23	0.05	1/4"	0-0.5	0-0.4	-10~80	

# SOLENOID VALVE

## 3N SERIES 2/3 WAY SOLENOID VALVE

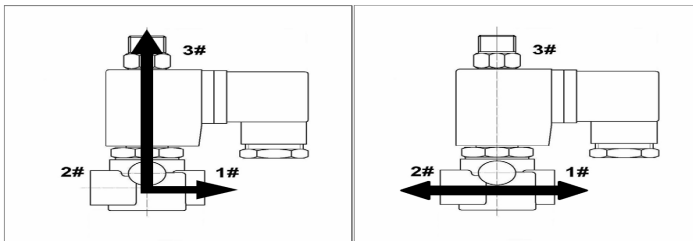


### Specification for 3N Series Normally Open



Model	Orifice(mm)		CV Value		Thread G, NPT	Working Pressure(Mpa)		Medium Temp. (°C)	Voltage
	Body	Top	Body	Top		AC	DC		
3N2-015-06	1.5	1.2	0.07	0.05	1/8"	0-1	0-0.7	-10~80	220VAC 110VAC 24VDC 12VDC make Other voltage as requested
3N2-020-06	2	1.2	0.14	0.05	1/8"	0-0.6	0-0.4	-10~80	
3N2-025-06	2.5	1.2	0.21	0.05	1/8"	0-0.5	0-0.3	-10~80	
3N2-030-06	3	1.2	0.23	0.05	1/8"	0-0.4	0-0.2	-10~80	
3N2-015-08	1.5	1.2	0.07	0.05	1/4"	0-1	0-0.7	-10~80	
3N2-020-08	2	1.2	0.14	0.05	1/4"	0-0.6	0-0.4	-10~80	
3N2-025-08	2.5	1.2	0.21	0.05	1/4"	0-0.5	0-0.3	-10~80	
3N2-030-08	3	1.2	0.23	0.05	1/4"	0-0.4	0-0.2	-10~80	

### Specification for 3N Series Universal Type



Model	Orifice(mm)		CV Value		Thread G, NPT	Working Pressure(Mpa)		Medium Temp. (°C)	Voltage
	Body	Top	Body	Top		AC	DC		
3N2-015-06	1.5	1.2	0.07	0.05	1/8"	0-0.7	0-0.6	-10~80	220VAC 110VAC 24VDC 12VDC make Other voltage as requested
3N2-020-06	2	1.2	0.14	0.05	1/8"	0-0.6	0-0.5	-10~80	
3N2-025-06	2.5	1.2	0.21	0.05	1/8"	0-0.4	0-0.3	-10~80	
3N2-030-06	3	1.2	0.23	0.05	1/8"	0-0.3	0-0.2	-10~80	
3N2-015-08	1.5	1.2	0.07	0.05	1/4"	0-0.7	0-0.6	-10~80	
3N2-020-08	2	1.2	0.14	0.05	1/4"	0-0.6	0-0.5	-10~80	
3N2-025-08	2.5	1.2	0.21	0.05	1/4"	0-0.4	0-0.3	-10~80	
3N2-030-08	3	1.2	0.23	0.05	1/4"	0-0.3	0-0.2	-10~80	

Note: All the specifications are our regular items. We can make other specification to meet your requirement