

# SOLENOID VALVE

## 2N SERIES SOLENOID VALVE

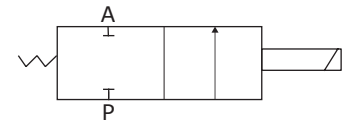


### Features

1. Compact volume, large flow, widely use
2. Protection class: IP65, dust proof and water proof, can be used for outdoors
3. DIN connector and wire leads are available
4. Insulation grade: H class, good resistance to high temperature;
5. NBR, VITON, EPDM, SILICONE seals are available
6. Normally closed and normally open

\* Warning: Make sure the system is clean before installing please fix a filter in the front of solenoid valve for long life.

### Symbol



### How to Order

2N	150	15	B	H	V
Model	Orifice	Port Size	Material	Acting Way	Sealing
2 way direct acting valve 2N XP 2WP 2W XLA XLH	025: 2.5mm 040: 4mm 100: 10mm 150: 15mm 160: 16mm 200: 20mm 250: 25mm 320: 32mm 350: 35mm 400: 40mm 500: 50mm	06: 1/8" 08: 1/4" 10: 3/8" 15: 1/2" 20: 3/4" 25: 1" 35: 1-1/4" 40: 1-1/2" 50: 2"	Blank: Brass B: Stainless steel F: Flange	Blank: Normally closed H: Normally open	Blank: NBR V: Viton E: EPDM S: Silicone P: PTFE

Regular voltage : 220VAC, 110VAC, 24VDC, 12VDC, Other voltages are also customized as requested

### Specification for 2N Series Normally Closed Solenoid Valve

Model		Thread Size (G)	Orifice (mm)	CV	Working Pressure (Bar)						Seals	Voltage
					AC			DC				
Brass body	Stainless steel				air, gas	water	≤20cst oil	air, gas	water	≤20cst oil		
2N030-06	2N030-06B	1/8"	3	0.3	0-10	0-10	0-7	0-7	0-7	0-5	NBR seals ≤ 80°C; Viton seals ≤ 150°C; EPDM seals ≤ 120°C Silicone seals ≤ 100°C	220VAC 110VAC 24VDC 12VDC make Other voltage as requested
2N030-08	2N030-08B	1/4"	3	0.3	0-10	0-10	0-7	0-7	0-7	0-5		
2N040-08	2N040-08B	1/4"	4	0.58	0-5	0-5	0-4	0-4	0-4	0-3		
2N050-08	2N050-08B	1/4"	5	0.65	0-4	0-4	0-3	0-3	0-3	0-2		
2N060-08	2N060-08B	1/4"	6	0.8	0-10	0-10	0-10	0-7	0-7	0-7		
2N150-10	2N150-10B	3/8"	15	4.6	0-10	0-10	0-10	0-7	0-7	0-7		
2N150-15	2N150-15B	1/2"	15	4.6	0-10	0-10	0-10	0-7	0-7	0-7		
2N200-20	2N200-20B	3/4"	20	8.5	0-10	0-10	0-10	0-7	0-7	0-7		
2N250-25	2N250-25B	1"	25	12	0-10	0-10	0-10	0-7	0-7	0-7		
2N320-35	2N320-35B	1 1/4"	32	24	0-10	0-10	0-10	0-7	0-7	0-7		
2N400-40	2N400-40B	1 1/2"	40	29	0-10	0-10	0-10	0-7	0-7	0-7		
2N500-50	2N500-50B	2"	50	48	0-7	0-7	0-7	0-5	0-5	0-5		
2N250-25F	2N250-25FB	4 holes flange	25	12	0-10	0-10	0-10	0-7	0-7	0-7		
2N320-35F	2N320-35FB		32	24	0-10	0-10	0-10	0-7	0-7	0-7		
2N400-40F	2N400-40FB		40	29	0-10	0-10	0-10	0-7	0-7	0-7		
2N500-50F	2N500-50FB		50	48	0-7	0-7	0-7	0-5	0-5	0-5		

### Specification for 2N Series Normally Open Solenoid Valve

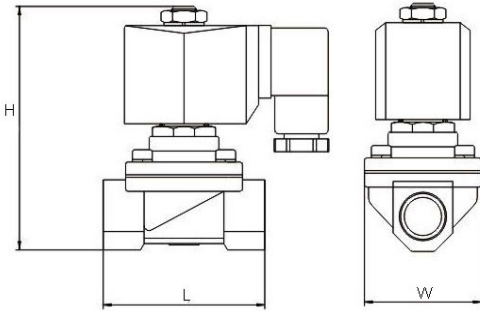
Model		Thread Size (G)	Orifice (mm)	CV	Working Pressure (Bar)						Seals	Voltage
					AC			DC				
Brass body	Stainless steel				air, gas	water	≤20cst oil	air, gas	water	≤20cst oil		
2N030-06H	2N030-06BH	1/8"	3	0.3	0-7	0-7	0-6	0-6	0-6	0-4	NBR seals ≤80 °C Viton seals ≤150°C EPDM seals ≤120°C Silicone seals ≤100°C	220VAC 110VAC 24VDC 12VDC make Other voltage as requested
2N030-08H	2N030-08BH	1/4"	3	0.3	0-7	0-7	0-6	0-6	0-6	0-4		
2N040-08H	2N040-08BH	1/4"	4	0.58	0-4	0-4	0-3	0-3	0-3	0-2		
2N050-08H	2N050-08BH	1/4"	5	0.65	0-3	0-3	0-2	0-2	0-2	0-1		
2N060-08H	2N060-08BH	1/4"	6	0.8	0-5	0-5	0-3	0-3	0-3	0-3		
2N150-10H	2N150-10BH	3/8"	15	4.6	0-5	0-5	0-3	0-3	0-3	0-3		
2N150-15H	2N150-15BH	1/2"	15	4.6	0-5	0-5	0-3	0-3	0-3	0-3		
2N200-20H	2N200-20BH	3/4"	20	8.5	0-5	0-5	0-3	0-3	0-3	0-3		
2N250-25H	2N250-25BH	1"	25	12	0-5	0-5	0-3	0-3	0-3	0-3		
2N320-35H	2N320-35BH	1 1/4"	32	24	0-5	0-5	0-3	0-3	0-3	0-3		
2N400-40H	2N400-40BH	1 1/2"	40	29	0-5	0-5	0-3	0-3	0-3	0-3		
2N500-50H	2N500-50BH	2"	50	48	0-5	0-5	0-3	0-3	0-3	0-3		
2N250-25FH	2N250-25FBH	4 holes flange		12	0-5	0-5	0-3	0-3	0-3	0-3		
2N320-35FH	2N320-35FBH		32	24	0-5	0-5	0-3	0-3	0-3	0-3		
2N400-40FH	2N400-40FBH		40	29	0-5	0-5	0-3	0-3	0-3	0-3		
2N500-50FH	2N500-50FBH		50	48	0-5	0-5	0-3	0-3	0-3	0-3		

# SOLENOID VALVE

## 2N SERIES SOLENOID VALVE

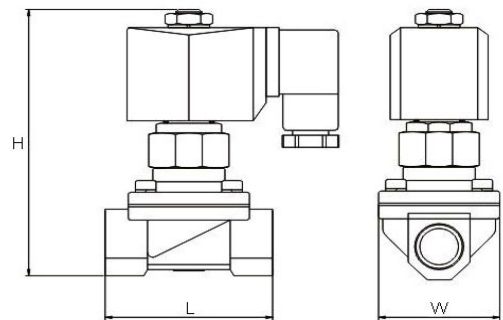


### Overall Dimensions



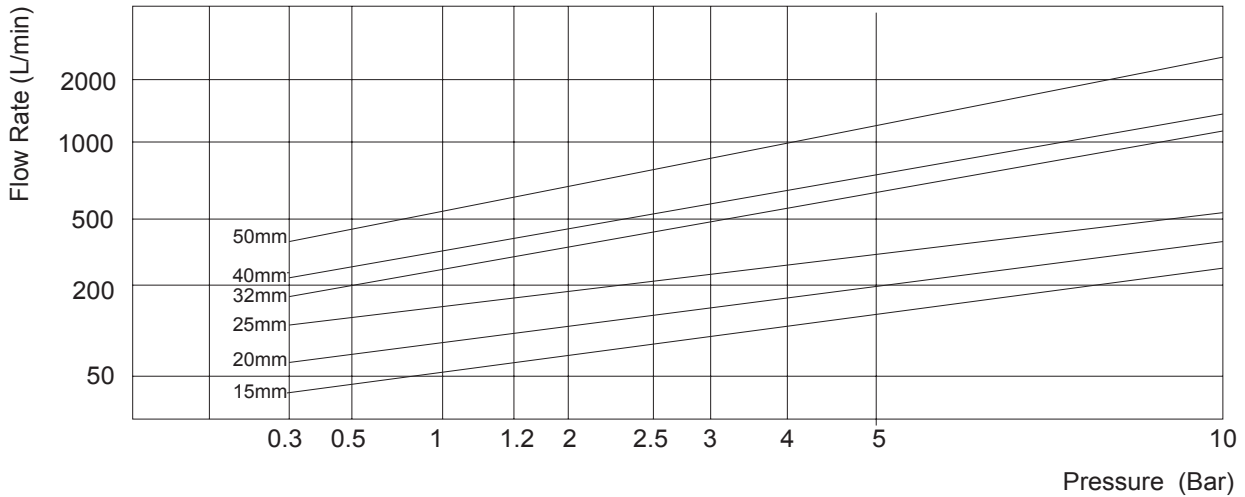
Model	L	W	H
2N030-06	40	30	67
2N030-08	40	30	67
2N040-08	40	30	80
2N050-08	4	38	75
2N060-08	40	38	75
2N150-10	65	47	93
2N150-15	65	47	93
2N200-20	72	54	100
2N250-25	90	70	108
2N320-35	114	87	128
2N400-40	117	95	135
2N500-50	160	120	155
2N250-25F	140	115	160
2N320-35F	152	135	215
2N400-40F	152	135	215
2N500-50F	195	160	220
2N030-06B	40	30	67
2N030-08B	40	30	67
2N040-08B	40	30	80
2N050-08B	4	38	75
2N060-08B	40	38	75
2N150-10B	65	47	93
2N150-15B	65	47	93
2N200-20B	72	54	100
2N250-25B	90	70	108
2N320-35B	114	87	128
2N400-40B	117	95	135
2N500-50B	160	120	155
2N250-25FB	140	115	160
2N320-35FB	152	135	215
2N400-40FB	152	135	215
2N500-50FB	195	160	220

Model	L	W	H
2N030-06	40	30	67
2N030-08	40	30	67
2N040-08	40	30	80
2N050-08	4	38	75
2N060-08	40	38	75
2N150-10	65	47	93
2N150-15	65	47	93
2N200-20	72	54	100
2N250-25	90	70	108
2N320-35	114	87	128
2N400-40	117	95	135
2N500-50	160	120	155
2N250-25F	140	115	160
2N320-35F	152	135	215
2N400-40F	152	135	215
2N500-50F	195	160	220
2N030-06B	40	30	67
2N030-08B	40	30	67
2N040-08B	40	30	80
2N050-08B	4	38	75
2N060-08B	40	38	75
2N150-10B	65	47	93
2N150-15B	65	47	93
2N200-20B	72	54	100
2N250-25B	90	70	108
2N320-35B	114	87	128
2N400-40B	117	95	135
2N500-50B	160	120	155
2N250-25FB	140	115	160
2N320-35FB	152	135	215
2N400-40FB	152	135	215
2N500-50FB	195	160	220



\* The specification is just for reference. We also customize a lot of other models.  
 Pressure, temperature, seal material, body material can be changed to reach some requirements.  
 If you have special requirements, we will offer you some solutions

2N-10 2N-15 2N-20 2N-25  
2N-35 2N-40 2N-50



### 2N Series Compact Solenoid Valve



Model	Thread Size (G)	Orifice (mm)	CV	Working Pressure (Bar)						Body Material	Seals	Voltage
				AC			DC					
				air, gas	water	≤20cst oil	air, gas	water	≤20cst oil			
2N100-08/B	3/8"	10	1.9	0-20	0-20	0-20	0-16	0-16	0-16	Brass SS304	NBR, VITON	220VAC 110VAC 24VDC
2N100-10/B	1/2"	10	1.9	0-20	0-20	0-20	0-16	0-16	0-16			
2N100-15/B	3/4"	10	1.9	0-20	0-20	0-20	0-16	0-16	0-16			